



HAARSLEV™

Processing Technology

FROZEN BLOCK CRUSHER

Product brochure



HAARSLEV™

Processing Technology

FROZEN BLOCK CRUSHER



“

CRUSHES LARGE BLOCKS OF FROZEN BONE-FREE MEAT AND POULTRY BY-PRODUCTS, OFFCUTS AND TRIMMINGS.

The Haarslev Frozen Block Crusher is ideal for effectively and reliably crushing blocks of frozen meat and poultry by-products, offcuts and trimmings of all kinds. Such blocks often come from vertical plate freezers, and the material is usually destined for use in pet food.



APPLICABLE FOR:

- Wherever blocks of frozen meat and poultry by-products enter a processing plant
- Upstream from metal detectors, batching silos, etc.
- Preliminary processing before use of grinding equipment

These large crushers are available in two configurations. The single-shaft unit can crush up to 15 tons/hour of individual frozen blocks, while the double-shaft unit is best for crushing whole pallets of frozen blocks, with an output of 50 tons/hour or more.

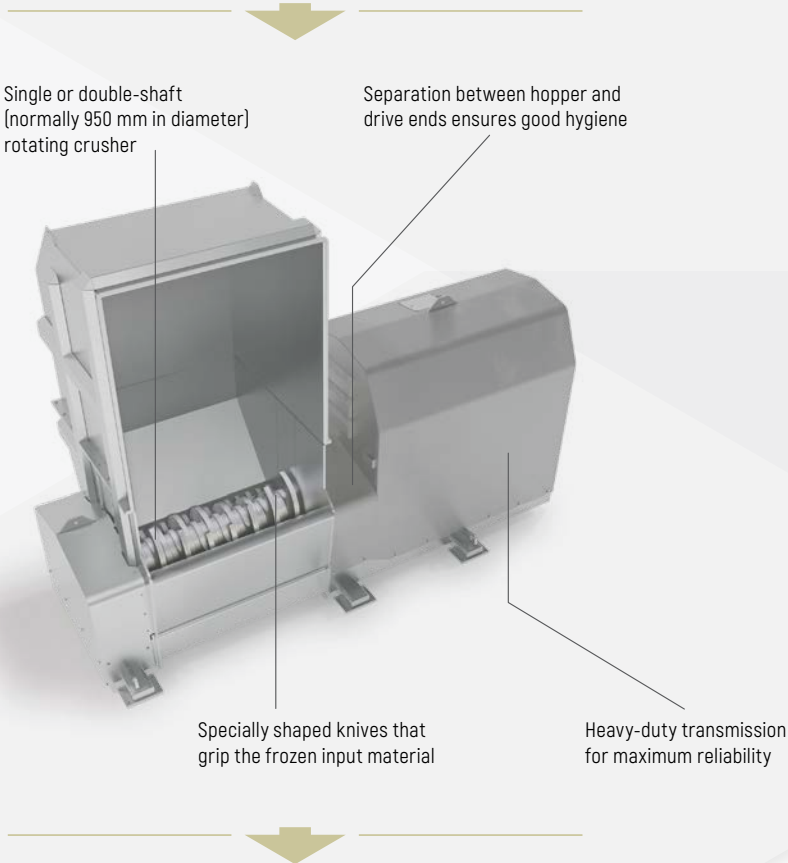
Both block crusher types feature knives specially shaped to grip the frozen input material, for effective crushing. This ensures outputs consisting of fist-sized pieces – ideal for efficient grinding further along in your process.

Haarslev Frozen Block Crushers can be combined with a wide range of hoppers, mounting frames, feed systems, discharge systems and other ancillary equipment.

BENEFITS

- Rugged and reliable to ensure uninterrupted operation
- Effective crushing of large quantities of frozen material
- Easy to keep clean and maintain

**BLOCKS OF FROZEN BONE-FREE
MEAT AND POULTRY BY-PRODUCTS,
OFFCUTS AND TRIMMINGS**



**INPUTS FOR
PET FOOD, ETC.**

TYPE	CAPACITY (t/h)	ANVIL GAP (mm)	MOTOR POWER (kW)	WEIGHT (kg)
FZ 600	7.5 - 10	40	55	7,000
FZ 750	12 - 14	60	75	10,000
FZ 750 HD	12 - 14	60	110	13,000
FZ 750 TWIN	50	95	2 x 75	17,000

We reserve the right to alter the specifications at any time without prior notice.



HAARSLEV™

Processing Technology



PROCESS IS POTENTIAL

HEAD OFFICE

Haarslev Industries A/S · Bogensevej 85
DK-5471 Søndersø · Denmark
Telephone: +45 63 83 11 00
Email: info@haarslev.com
www.haarslev.com

GLOBAL EXPERIENCE - LOCAL PRESENCE

Please contact us or visit our website
to locate the closest sales office.