



HAARSLEV™

Processing Technology

PUMP-FED GRINDER

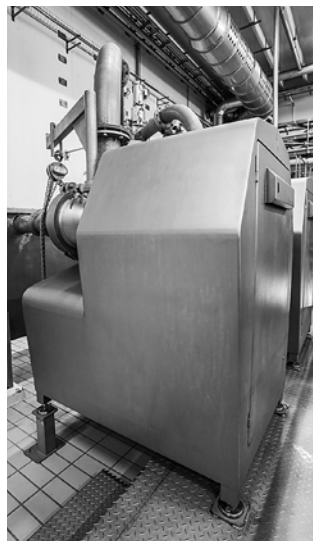
Product brochure



HAARSLEV™

Processing Technology

PUMP-FED GRINDER



The Haarslev Pump-fed Grinder performs particularly well with softer viscous, pumpable inputs. The connected feed pump ensures a consistent flow rate that helps eliminate slippage. The consistent flow also ensures clean cutting of the material passing through the grinder, and outputs in best possible condition.

You can figure these high-capacity grinder units in many different ways as part of a fluidizer system for sizing viscous animal by-products – with feeds by pump alone, by mixer with pump, by silo with pump, etc.

“

HIGH-CAPACITY PUMP-FED
GRINDER FOR REDUCING PARTICLE
SIZE IN RELATIVELY, SOFT
VISCIOUS ANIMAL BY-PRODUCTS.



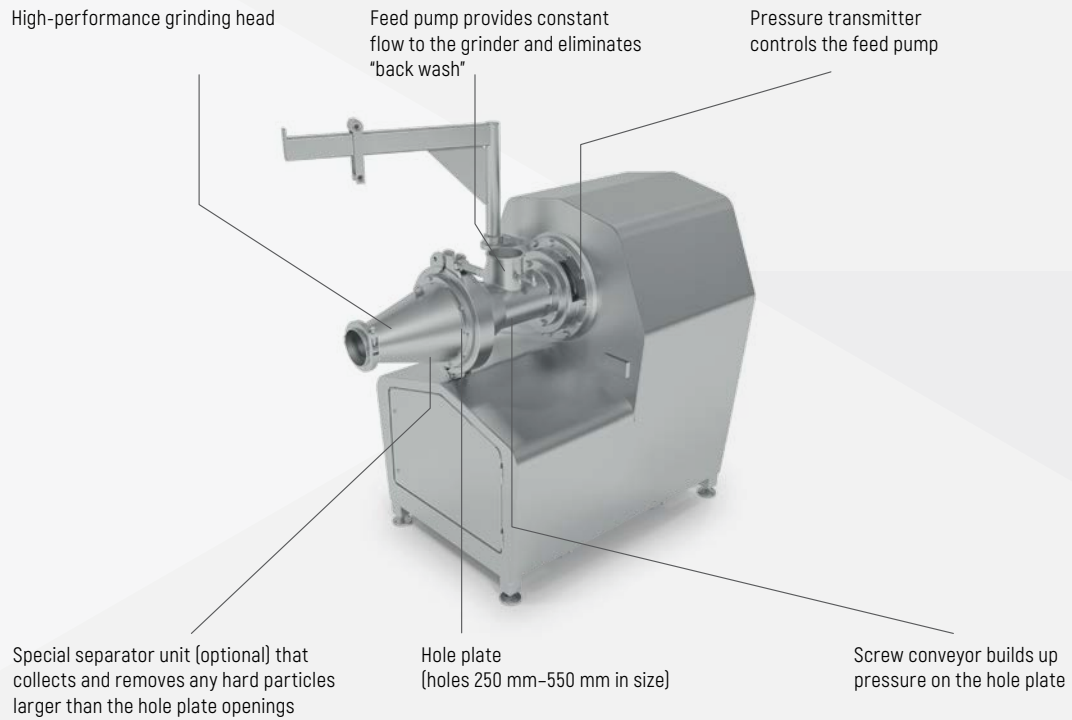
APPLICABLE FOR:

- Wet rendering plants
- Pet food plants
- Fat melting plants

BENEFITS

- Performs well with sloppy, viscous inputs, with excellent particle definition and clean cutting
- Consistent flow rates, with good control of particle size and minimum temperature increase
- Self-regulating feed pump ensures outputs in best possible condition
- Consistent operating pressure results in less wear on knives and hole plates

VISCOUS, PUMPABLE ANIMAL BY-PRODUCTS



COOKING, HEATING AND COAGULATING PROCESSES

TYPE	HOLE PLATE DIAMETER (mm)	CAPACITY (kg/h)/(lb/h)		DIMENSIONS* (mm)/(ft-inch)					
				Length (L)		Height (H)		Width (W)	
HF250P	Ø250	2,000 - 3,500	4,410-7,715	1,600	5' 3"	1,450	4' 10"	1,100	3' 8"
HF300P	Ø300	3,000 - 6,500	6,615-14,330	1,700	5' 7"	1,700	5' 7"	1,200	4' 0"
HF400P	Ø400	5,000 - 12,500	11,025-26,455	1,800	5' 11"	1,850	6' 1"	1,250	4' 2"
HF550P	Ø550	10,000 - 25,000	22,045-55,115	2,700	8' 11"	2,600	8' 7"	1,350	4' 6"

*All statements of dimensions are approximate.

We reserve the right to alter the specifications at any time without prior notice.



HAARSLEV™

Processing Technology



PROCESS IS POTENTIAL

HEAD OFFICE

Haarslev Industries A/S · Bogensevej 85
DK-5471 Søndersø · Denmark
Telephone: +45 63 83 11 00
Email: info@haarslev.com
www.haarslev.com

GLOBAL EXPERIENCE - LOCAL PRESENCE

Please contact us or visit our website
to locate the closest sales office.