



HAARSLEV™

Processing Technology

TALLOW PUMP

Product brochure



HAARSLEV™

Processing Technology

TALLOW PUMP



“

WELL-PROVEN, RELIABLE EQUIPMENT FOR
PUMPING VISCOUS ANIMAL FAT.

Viscous fats and other similar material aren't easy to pump from one place to another. But Haarslev tallow pumps can help.

The Haarslev Tallow Pump is a centrifugal pump equipped with a feed screw, specially configured to pump animal fat containing a large proportion of smaller, solid particles. This buffer/feed screw is essential for making sure the pump consistently runs at peak efficiency, and is one of the big advantages of using Haarslev tallow pumps.

APPLICABLE FOR:

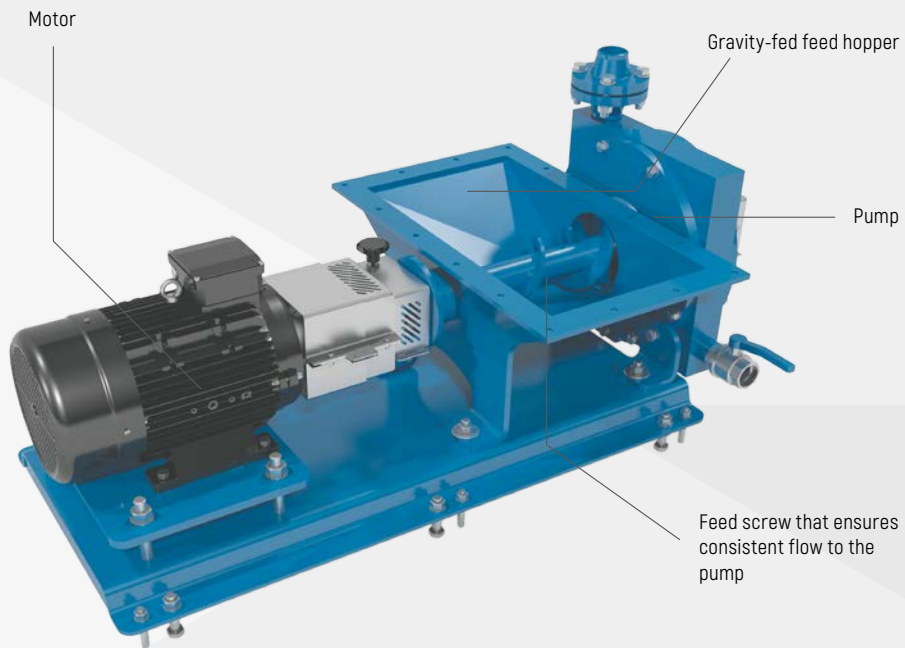


- Fat processing setups
- Tallow treatment

BENEFITS

- Consistent, reliable flow of viscous fat
- Extremely durable and resistant to mechanical wear
- Can pump hot tallow (up to 100°C)
- Low operating costs

ANIMAL FAT ON ITS WAY TO SEPARATION



DECANTER CENTRIFUGE FOR SEPARATING FAT FROM LIQUID

TYPE	PUMP CAPACITY (m ³ /h)/(gpm)		PRESSURE (Bar)/(psi)		SOLID PARTICLE HANDLING (mm)/(inch)		POWER (kW)/(hp)		WEIGHT (kg)/(lb)	
AS 7.5	18	79	2	30	25	1	4	5.5	270	600

We reserve the right to alter the specifications at any time without prior notice.



HAARSLEV™

Processing Technology



PROCESS IS POTENTIAL

HEAD OFFICE

Haarslev Industries A/S · Bogensevej 85
DK-5471 Søndersø · Denmark
Telephone: +45 63 83 11 00
Email: info@haarslev.com
www.haarslev.com

GLOBAL EXPERIENCE - LOCAL PRESENCE

Please contact us or visit our website
to locate the closest sales office.