



**HAARSLEV™**

Processing Technology

# **PUMP-FED GRINDER**

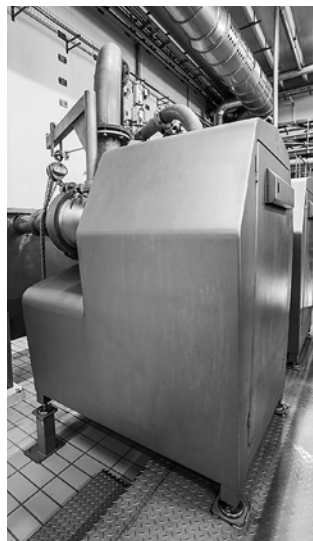
Product brochure



**HAARSLEV™**

Processing Technology

# PUMP-FED GRINDER



The Haarslev Pump-fed Grinder performs particularly well with softer viscous, pumpable inputs. The connected feed pump ensures a consistent flow rate that helps eliminate slippage. The consistent flow also ensures clean cutting of the material passing through the grinder, and outputs in best possible condition.

You can figure these high-capacity grinder units in many different ways as part of a fluidizer system for sizing viscous animal by-products – with feeds by pump alone, by mixer with pump, by silo with pump, etc.

“

HIGH-CAPACITY PUMP-FED  
GRINDER FOR REDUCING PARTICLE  
SIZE IN RELATIVELY, SOFT  
VISCIOUS ANIMAL BY-PRODUCTS.



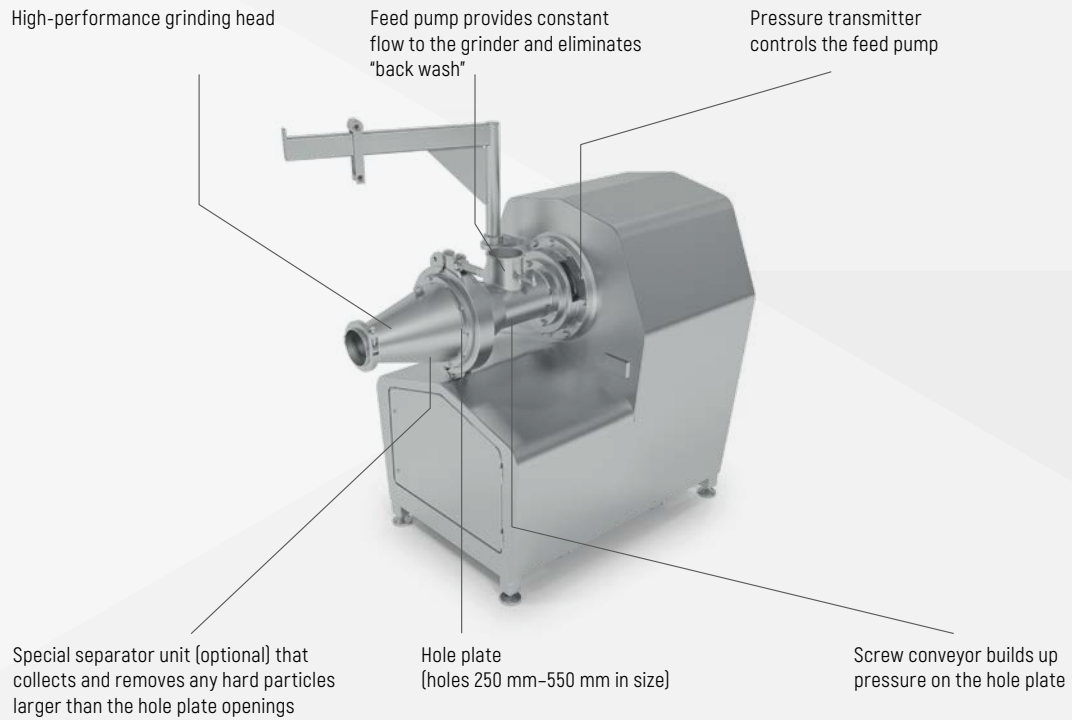
#### APPLICABLE FOR:

- Wet rendering plants
- Pet food plants
- Fat melting plants

#### BENEFITS

- Performs well with sloppy, viscous inputs, with excellent particle definition and clean cutting
- Consistent flow rates, with good control of particle size and minimum temperature increase
- Self-regulating feed pump ensures outputs in best possible condition
- Consistent operating pressure results in less wear on knives and hole plates

## VISCOUS, PUMPABLE ANIMAL BY-PRODUCTS



## COOKING, HEATING AND COAGULATING PROCESSES

TYPE	HOLE PLATE DIAMETER (mm)	CAPACITY (kg/h)	DIMENSIONS (mm)*		
			Length (L)	Height (H)	Width (W)
HF250P	Ø250	2,000 - 3,500	1,600	1,450	1,100
HF300P	Ø300	3,000 - 6,500	1,700	1,700	1,200
HF400P	Ø400	5,000 - 12,500	1,800	1,850	1,250
HF550P	Ø550	10,000 - 25,000	2,700	2,600	1,350

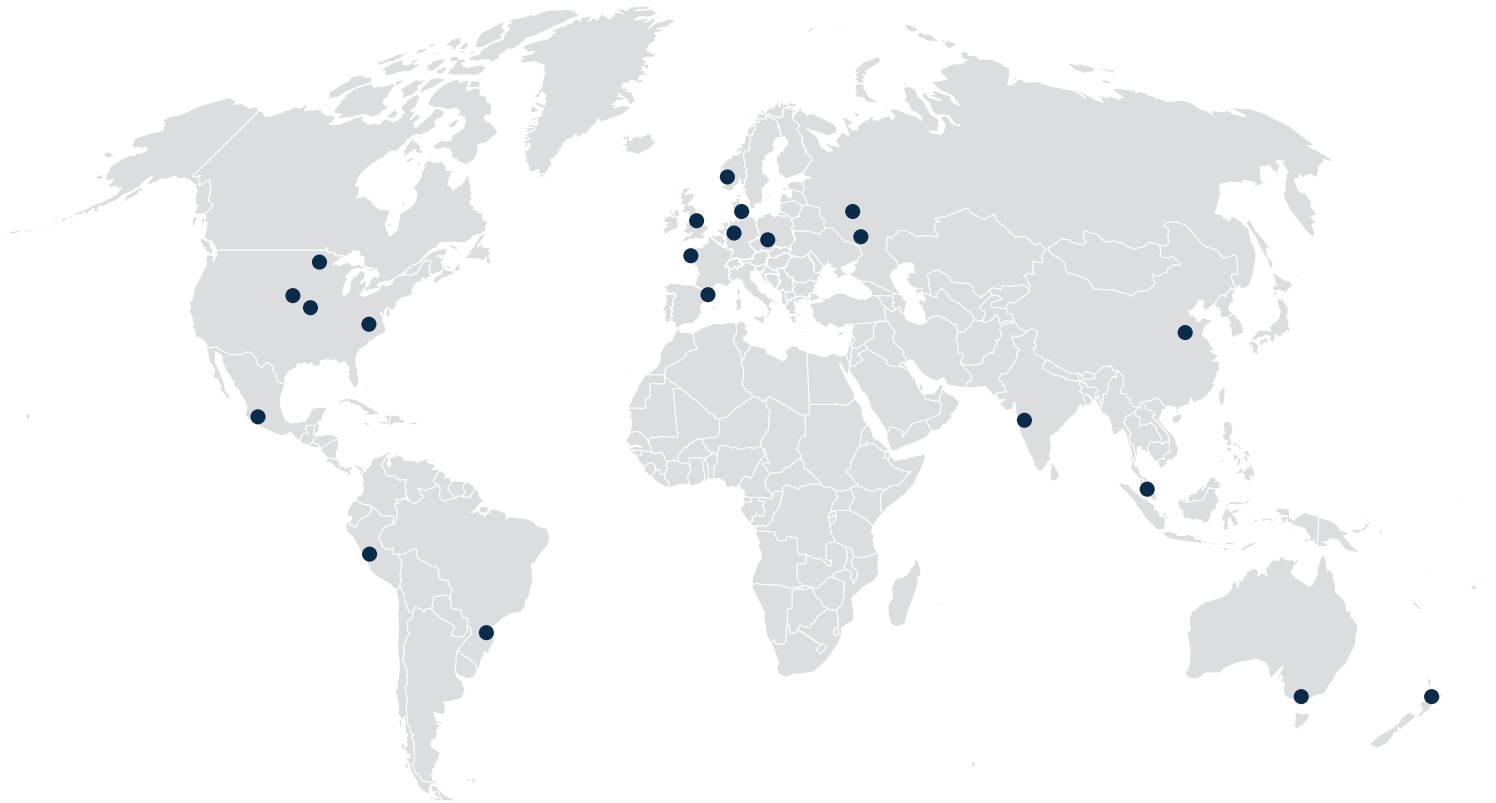
\* All statements of dimensions are approximate.

We reserve the right to alter the specifications at any time without prior notice.



# HAARSLEV™

Processing Technology



## PROCESS IS POTENTIAL

### HEAD OFFICE

Haarslev Industries A/S · Bogensevej 85  
DK-5471 Søndersø · Denmark  
Telephone: +45 63 83 11 00  
Email: [info@haarslev.com](mailto:info@haarslev.com)  
[www.haarslev.com](http://www.haarslev.com)

### GLOBAL EXPERIENCE - LOCAL PRESENCE

Please contact us or visit our website  
to locate the closest sales office.